

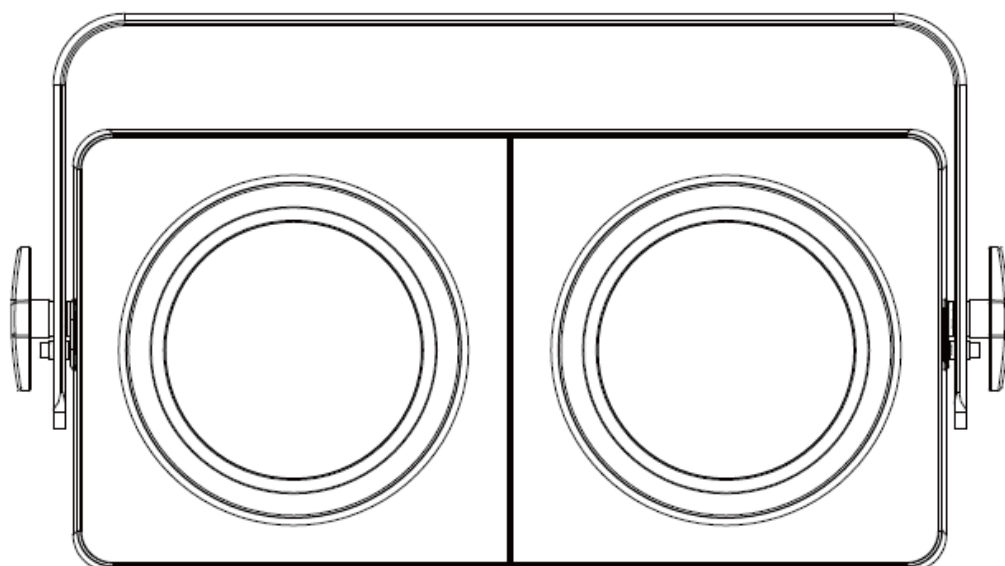
SHOWPRO

EK

Blinder II C

USER MANUAL

LEDPAR380



Blinder III c

WARNING! Before carrying out any operations with the unit, carefully read this instruction manual and keep it with care for future reference. It contains important information about the installation, usage, and maintenance of the unit.

SAFETY

General instructions

- The products referred to in this manual conform to the European Community Directives and are therefore marked with CE.
- The unit is supplied with hazardous network voltage (230V~). Leave servicing to skilled personnel only. Never make any modifications on the unit not described in this instruction manual, otherwise you will risk an electric shock.
- Connection must be made to a power supply system fitted with efficient earthing (Class I appliance according to standard EN 60598-1). It is, moreover, recommended to protect the supply lines of the units from indirect contact and/or shorting to earth by using appropriately sized residual current devices.
- The connection to the mains network must be carried out by a qualified electrical installer. Check that the main frequency and voltage correspond to those for which the unit is designed as given on the electrical data label.
- The unit is not for home use, only professional applications.
- Never use the fixture under the following conditions:
 - In places subject to vibrations or bumps
 - In places with temperatures over 40°C
- Make certain that no flammable liquids, water, or metallic objects enter the fixture.
- Do not dismantle or modify the fixture.
- All work must be carried out by qualified technical personnel. Contact the nearest sales point for an inspection or contact the manufacturer directly.
- If the unit is to be put of operation definitively, take it to a local recycling plant for a disposal which is not harmful to the environment.

Warnings and installation precautions

- If this device will be operated in any way different to the one described in this manual, it may suffer damage and the warranty becomes void. Furthermore, any other operation may lead to dangers like short circuit, burns, electrical shock, etc.
- Before starting any maintenance or cleaning the fixture, cut off power from the main supply.
- Always additionally secure the fixture with a safety cable. When carrying out any work, always comply with all the regulations (particularly regarding safety) currently in force in the country in which the fixture is being used.
- Install the fixture in a well-ventilated place.
- Keep any flammable material at a safe distance from the fixture.
- Shields, lenses, or ultraviolet screens shall be changed if they have become damaged to such an extent that their effectiveness is impaired.
- The lamp (LED) shall be changed if it has become damaged or thermally deformed.
- Never look directly at the light beam. Please note that flashing lights, may trigger epileptic seizures in photosensitive persons or persons with epilepsy.
- Do not touch the product's housing when operating because it may be very hot.

INTRODUCTION

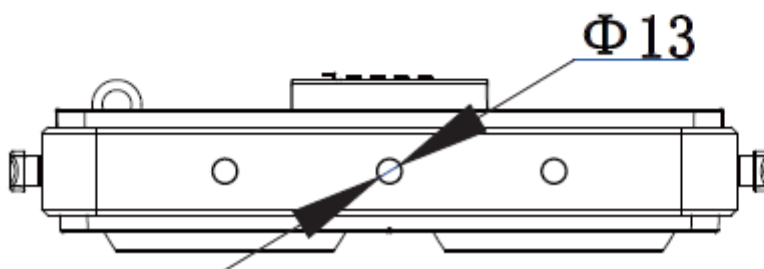
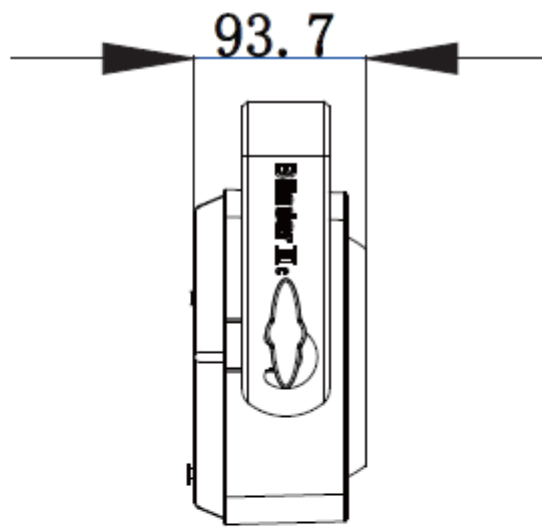
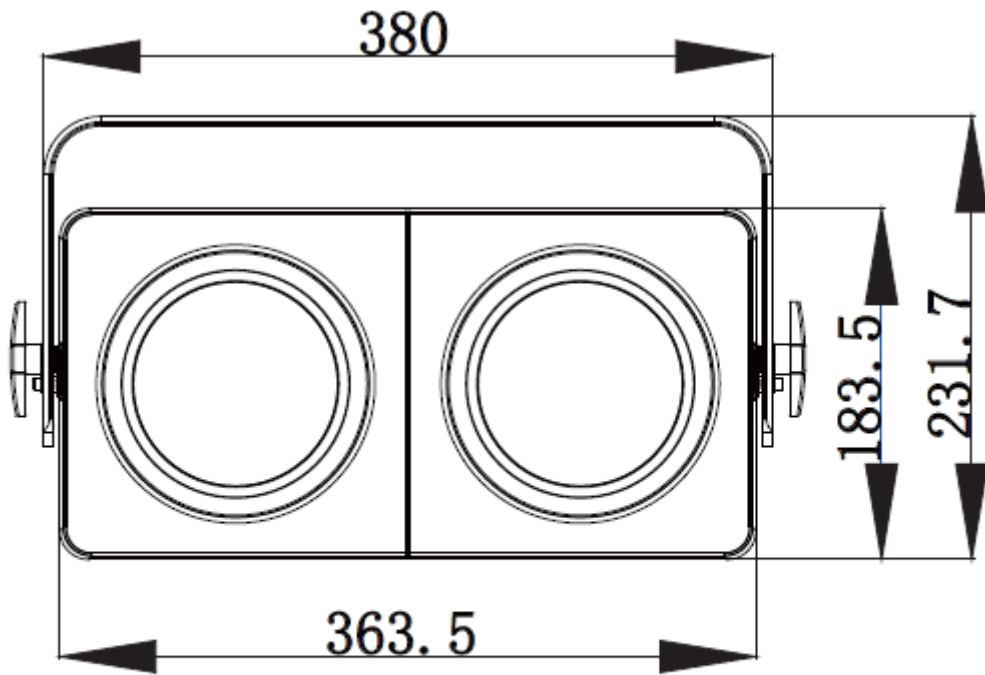
Features

- 380W RGBA + 90W WW LED
- 2800K - 10000K Variable colour temperature
- Ra≥90, R9≥90
- Fan-free design and quiet operation suitable for studio use
- Selectable PWM frequency for flicker-free video with any camera
- 4 dimming curves with 16-bit control for smooth dimming
- Consistent colour temperature throughout the dimming curve
- Built-in macros make for easy programming of stunning effects
- Compact body and light weight

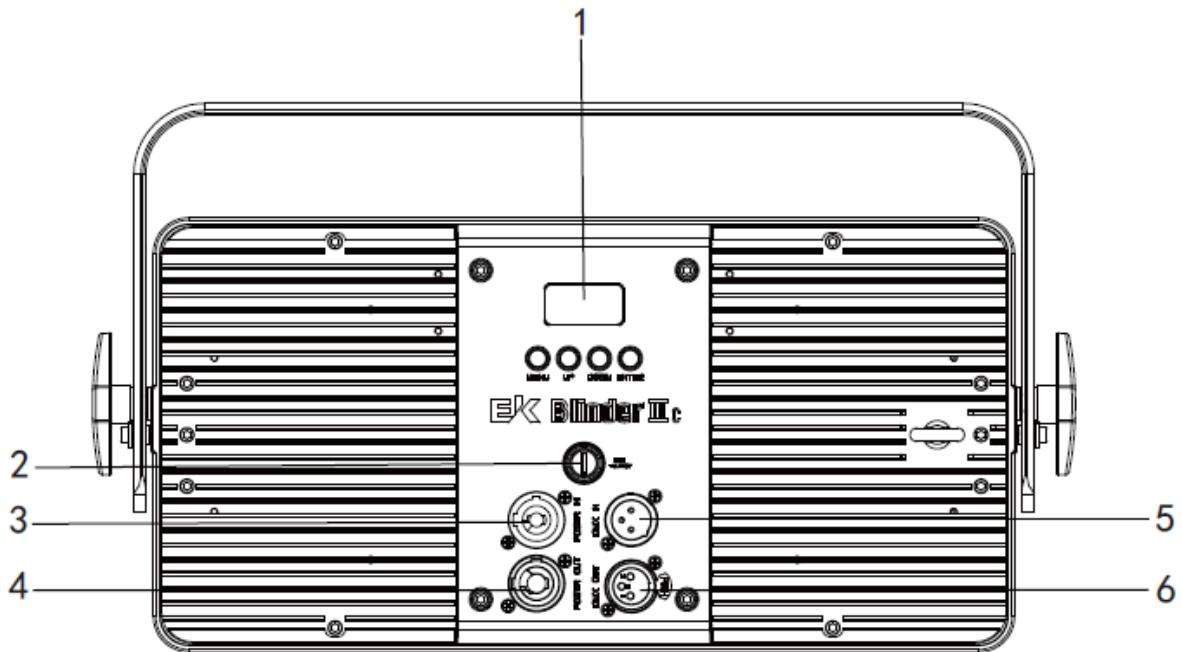
Specifications

Light Source:	380W RGBA + 90W WW LED
Colour Temperature:	Variable 2800K - 10000K, W: 3148L
Output:	6020 lumens
CRI:	>90
Beam Angle:	59.3°
Field Angle:	100°
Tilt:	360°
Dimmer:	4 dimming curves
Mains:	100 – 240V, 50/60Hz
Protocol:	DMX512, RDM
Power Connections:	Powercon In/Out, linking up to 21 pieces
DMX Connections:	5 pin XLR In /Out, linking up to 32 pieces
DMX Channels:	1Ch / 5Ch / 7Ch / 10Ch1 / 10Ch2 / 12Ch / 13Ch / 15Ch / 28Ch
IP Rating:	IP20
Operating Temperature:	0°C - 40°C
Dimensions:	415 x 93.7 x 231.7mm
Weight:	3.7kg

DIMENSIONS



OVERVIEW



1.LCD Display

2.Fuse

3.Power In

4.Power Out

5.DMX In

6.DMX Out

BASIC FUNCTIONS AND OPERATION

UP	DOWN	MODE	ENTER
Increase the displayed value, or scroll thru previous menu items	Decrease the displayed value, or scroll thru next menu items	Display main menu, or return to higher menu levels	Confirm displayed values, or activate displayed functions, or enter submenus, or save settings

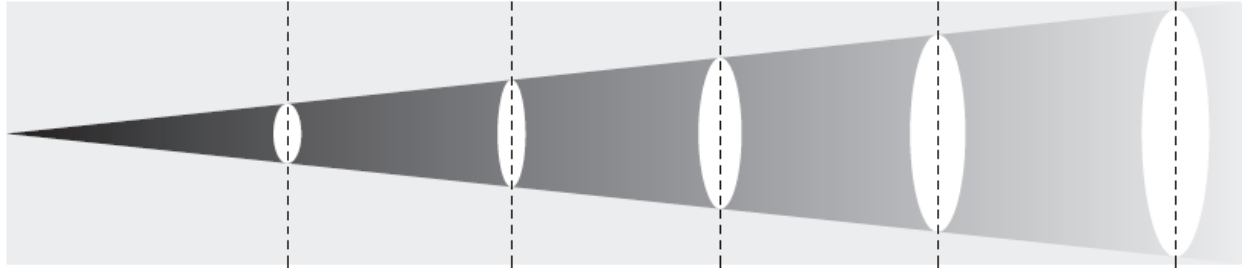
Startup Initialisation: Mode and Enter keys.

Shortcut: When on the main interface, press and hold up and down buttons for 3s to flip the display.

Battery Display: When there is no external power supply, long press and hold the right button for 3s to enter the setting menu parameters.

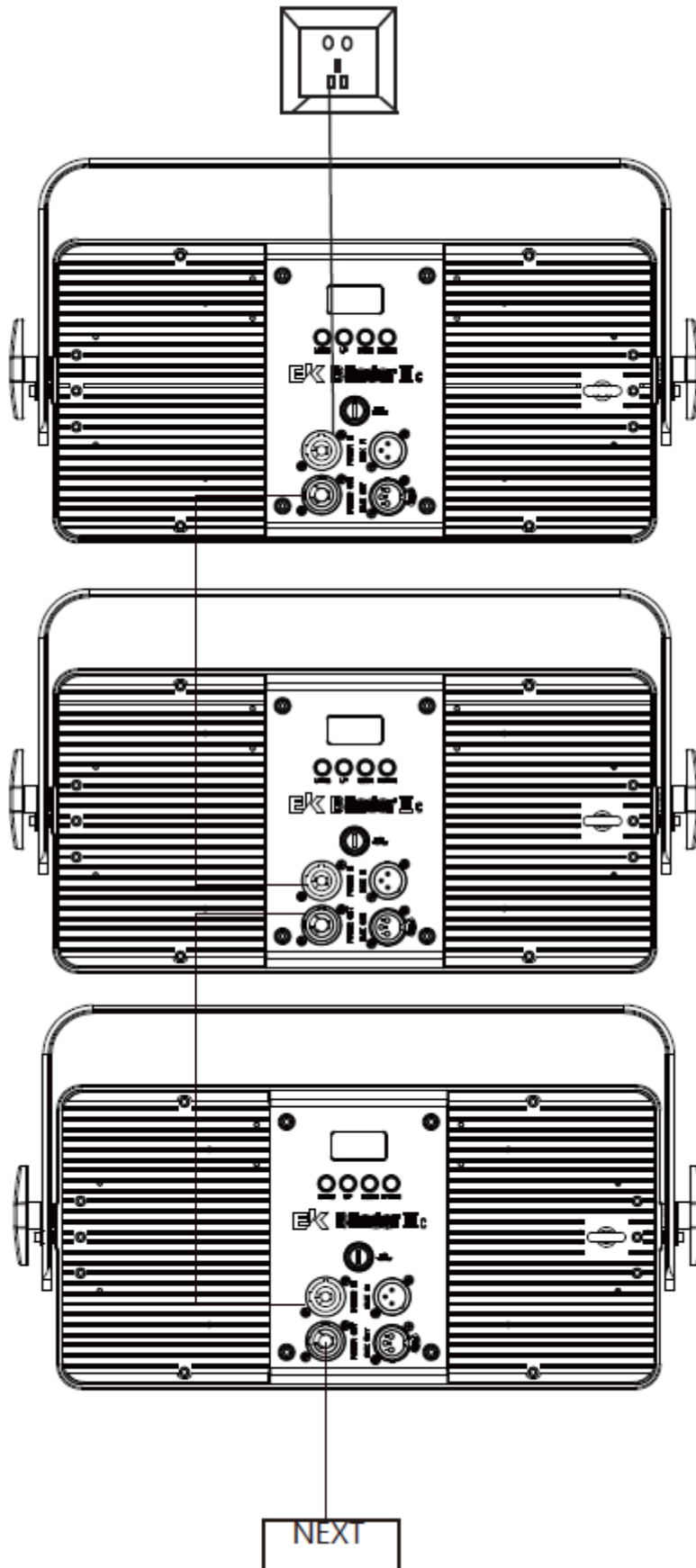
PHOTOMETRICS

Beam Angle 59.3°

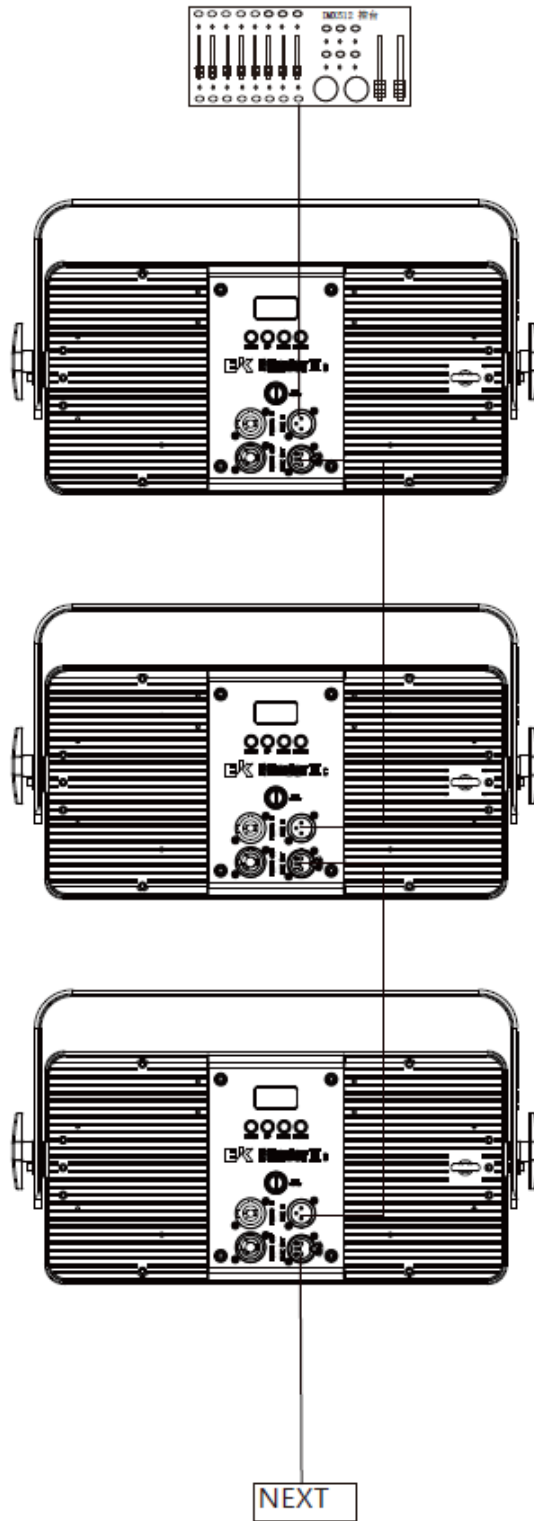


Distance (M)	3	5	10	15	20
Illuminance(lux)	591	213	53	24	13
Diameter(M)	3.42	5.69	11.39	17.08	22.78

POWER CONNECTION

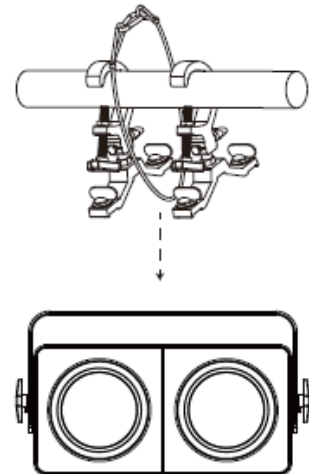
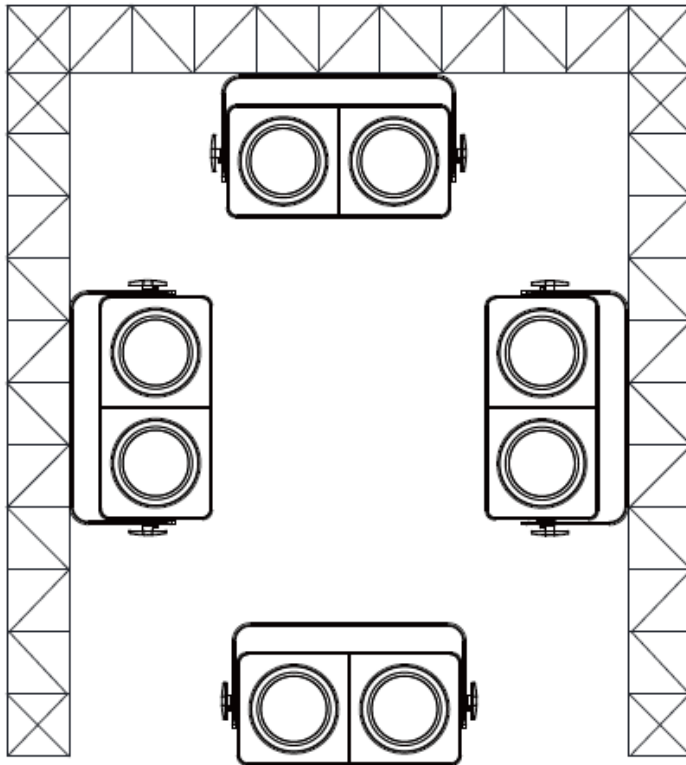


DMX CONNECTION



DMX MODE	1st Fixture	2nd Fixture	3rd Fixture	4th Fixture
1 channel	001	002	003	004
3 channels	001	004	007	010

INSTALLATION



Notice

This product is only suitable for indoor use, with a protection level of IP20. The lighting fixtures should be kept clean and avoid use in damp or dusty environments.

Maintenance should be carried out every three months.

Qualified professionals are only allowed to install, operate, and maintain lighting fixtures, and ensure strict adherence to the procedures described in this manual.

The lighting fixtures should be installed in a well-ventilated area, at least 50CM away from the wall, and the ventilation holes should be checked for smoothness. Do not look directly at the light source to avoid damage to the eyes.

The electrical connections must be operated by qualified installation personnel.

Each lamp should be securely grounded and electrically installed in accordance with relevant standards.

Do not use power cords with damaged insulation layer, and do not place the power cord on other wires. When the lamp is not in use or clean, please unplug the power cord and do not forcefully plug or drag the power cord directly.

If the back cover of the lamp is equipped with a safety buckle or connection hole, for safety reasons, please use a safety rope to penetrate the connection hole for auxiliary lifting.

MENU

No.	Main Menu	Menu Level 2	Menu Level 3	Menu Level 4	Default		
1	DMX Address	001 – 512			001		
2	DMX Channel	1 Ch	Virtual Colour Wheel	...	C3050 – Md Yellow	Default: 12 Ch	
			Colour Temperature	...	3200K		
			Manual Colour Mixer	...	RGBAW = 255		
		3 Ch					
		5 Ch					
		7 Ch					
		10 Ch1					
		10 Ch2					
		12 Ch					
		13 Ch					
		15 Ch					
		28 Ch					
		HSV					
3	Virtual Colour Wheel	Virtual Colour Wheel	C3050-Md Yellow	Dimmer: 000 – 255	C3050-Md Yellow Dimmer=255		
			C3040-Lt Yellow				
			C3240-Amb Yellow				
			C2340-VLt Amber				
			C2040-Lt Amber				
			C2050-Md Amber				
			C2060-Dk Amber				
			C1050-Lt Red				
			C1080-Md Red				
			C1020-NC Pink				
			C1030-Md Pink				
			C1630-Dk Pink				
			C1250-Md Red Amber				
			C1060-Dk Red Amber				
			C1650-Magenta				
			C6170-Dk Magenta				
			C6020-Lt Lavender				
			C5030-Lt Blue				
			C5020-VLt Blue				
			C5430-Lt Blue2				
			C5070-Blue				
			C5050-Md Blue				
			C5060-Dk Blue				
			C5690-Indigo				
			C5080-VDk Blue				
			C5081-VdK Blue2				
			C4370-Yel Green				
C4070-Green							
C4550-Turquoise							

			C4560-Aqua			
			C4570-Blue Green			
		Colour Temperature		2800K	Dimmer: 000 – 255	3200K Dimmer=255
				3000K		
				3200K		
				3500K		
				4000K		
				4500K		
				5000K		
				5600K		
				6000K		
				6500K		
				7000K		
				7500K		
				8000K		
				8500K		
			9000K			
			9500K			
			10000K			
		Manual Colour Mixer	Red	000 – 255		RGBAW=255
Green	000 – 255					
Blue	000 – 255					
Amber	000 – 255					
White	000 – 255					
Colour X-Fade Speed	Off			X-Fade Speed 1		
	X-Fade Speed 1					
	X-Fade Speed 2					
	X-Fade Speed 3					
	X-Fade Speed 4					
4	Auto Show	Auto 1	001 – 100		Auto 1 Speed=100	
		Auto 2	001 – 100			
		Auto 3	001 – 100			
		Auto 4	001 – 100			
		Auto 5	001 – 100			
		Auto 6	001 – 100			
5	Red Shift	On			On	
		Off				
6	Master/Slave	Master			Slave	
		Slave				
7	Dimmer Curve	S-Curve			Linear	
		Linear				
		Square				
		Inverse Square				
8	Dimmer Mode	Off			Off	
		Dimmer 1				
		Dimmer 2				
		Dimmer 3				
9	White Balance	Off			RGBAW=255	
		Manual	Red 1			125 – 255
			Green 1			125 – 255
			Blue 1			125 – 255

			Amber 1	125 – 255	
			White 1	125 – 255	
			Red 2	125 – 255	
			Green 2	125 – 255	
			Blue 2	125 – 255	
			Amber 2	125 – 255	
			White 2	125 – 255	
10	LED Frequency	600Hz			1200Hz
		1200Hz			
		2000Hz			
		4000Hz			
		6000Hz			
		25kHz			
11	Flip Display	No			No
		Yes			
12	Back Light	10s			2min
		30s			
		2min			
		Always On			
13	Key Lock	On			On
		Off			
14	Information	Fixture Hours	<00000>		
		LED Hours	<00000>		
		Versions	Vx.xx		
		UID	*****		
15	Temperature	LED1: 40°C			
		LED2: 40°C			
16	Factory Reset	No			
		Yes			

DMX CHARTS

1Ch	Function	Value	Setting
1	Dimmer	000 – 255	0 – 100%

3Ch	Function	Value	Setting
1	Dimmer	000 – 255	0 – 100%
2	Colour Macro	000 – 005	No Function
		006 – 013	C3050 Md Yellow
		014 – 021	C3040 Lt Yellow
		022 – 028	C3240 Amb Yellow
		029 – 035	C2340 Vlt Amber
		036 – 043	C2040 Lt Amber
		044 – 051	C2050 Md Amber
		052 – 059	C2060 Dk Amber
		060 – 067	C1050 Lt Red
		068 – 075	C1080 Md Red
		076 – 083	C1020 NC Pink
		084 – 091	C1030 Md Pink
		092 – 099	C1630 Dk Pink
		100 – 107	C1250 Md Red Amber
		108 – 115	C1060 Dk Red Amber
		116 – 121	C1650 Magenta
		122 – 130	C6170 Dk Magenta
		131 – 138	C6020 Lt Lavender
		139 – 146	C5030 Lt Blue
		147 – 154	C5020 Vlt Blue
		155 – 162	C5430 Lt Blue 2
		163 – 170	C5070 Blue
		171 – 178	C5050 Md Blue
		179 – 186	C5060 Dk Blue
		187 – 194	C5690 Indigo
195 – 202	C5080 Vdk Blue		
203 – 210	C5081 Vdk Blue 2		
211 – 218	C4370 Yel Green		
219 – 226	C4070 Green		
227 – 234	C4550 Turquoise		
235 – 242	C4560 Aqua		
243 – 250	C4570 Blue Green		
251 – 255	No Function		
3	Colour Temperature	000 – 005	No Function
		006 – 019	2800K
		020 – 033	3000K
		034 – 047	3200K
		048 – 061	3500K
		062 – 075	4000K
		076 – 089	4500K

		090 – 103	5000K
		104 – 117	5600K
		118 – 131	6000K
		132 – 145	6500K
		146 – 159	7000K
		160 – 173	7500K
		174 – 187	8000K
		188 – 201	8500K
		202 – 215	9000K
		216 – 229	9500K
		230 – 243	10000K
		244 – 255	No Function

5Ch	Function	Value	Setting
1	Red	000 – 255	0 – 100%
2	Green	000 – 255	0 – 100%
3	Blue	000 – 255	0 – 100%
4	Amber	000 – 255	0 – 100%
5	White	000 – 255	0 – 100%

7Ch	Function	Value	Setting
1	Dimmer	000 – 255	0 – 100%
2	Red	000 – 255	0 – 100%
3	Green	000 – 255	0 – 100%
4	Blue	000 – 255	0 – 100%
5	Amber	000 – 255	0 – 100%
6	White	000 – 255	0 – 100%
7	Strobe	000 – 010	Open
		011 – 255	Strobe (From fast to slow)

10Ch1	Function	Value	Setting
1	Red 1	000 – 255	0 – 100%
2	Green 1	000 – 255	0 – 100%
3	Blue 1	000 – 255	0 – 100%
4	Amber 1	000 – 255	0 – 100%
5	White 1	000 – 255	0 – 100%
6	Red 2	000 – 255	0 – 100%
7	Green 2	000 – 255	0 – 100%
8	Blue 2	000 – 255	0 – 100%
9	Amber 2	000 – 255	0 – 100%
10	White 2	000 – 255	0 – 100%

10Ch2	Function	Value	Setting
1	Dimmer	000 – 255	0 – 100%
2	Dimmer Fine	000 – 255	0 – 100%
3	Red	000 – 255	0 – 100%
4	Green	000 – 255	0 – 100%
5	Blue	000 – 255	0 – 100%

6	Amber	000 – 255	0 – 100%
7	White	000 – 255	0 – 100%
8	Strobe	000 – 010	Open
		011 – 255	Strobe (From fast to slow)
9	Colour Macro	000 – 005	No Function
		006 – 013	C3050 Md Yellow
		014 – 021	C3040 Lt Yellow
		022 – 028	C3240 Amb Yellow
		029 – 035	C2340 VLt Amber
		036 – 043	C2040 Lt Amber
		044 – 051	C2050 Md Amber
		052 – 059	C2060 Dk Amber
		060 – 067	C1050 Lt Red
		068 – 075	C1080 Md Red
		076 – 083	C1020 NC Pink
		084 – 091	C1030 Md Pink
		092 – 099	C1630 Dk Pink
		100 – 107	C1250 Md Red Amber
		108 – 115	C1060 Dk Red Amber
		116 – 121	C1650 Magenta
		122 – 130	C6170 Dk Magenta
		131 – 138	C6020 Lt Lavender
		139 – 146	C5030 Lt Blue
		147 – 154	C5020 VLt Blue
		155 – 162	C5430 Lt Blue 2
		163 – 170	C5070 Blue
		171 – 178	C5050 Md Blue
		179 – 186	C5060 Dk Blue
		187 – 194	C5690 Indigo
		195 – 202	C5080 Vdk Blue
		203 – 210	C5081 Vdk Blue 2
		211 – 218	C4370 Yel Green
219 – 226	C4070 Green		
227 – 234	C4550 Turquoise		
235 – 242	C4560 Aqua		
243 – 250	C4570 Blue Green		
251 – 255	No Function		
10	Colour Temperature	000 – 005	No Function
		006 – 019	2800K
		020 – 033	3000K
		034 – 047	3200K
		048 – 061	3500K
		062 – 075	4000K
		076 – 089	4500K
		090 – 103	5000K
		104 – 117	5600K
		118 – 131	6000K
		132 – 145	6500K
		146 – 159	7000K
		160 – 173	7500K
		174 – 187	8000K

		188 – 201	8500K
		202 – 215	9000K
		216 – 229	9500K
		230 – 243	10000K
		244 – 255	No Function

12Ch	Function	Value	Setting
1	Dimmer	000 – 255	0 – 100%
2	Red	000 – 255	0 – 100%
3	Green	000 – 255	0 – 100%
4	Blue	000 – 255	0 – 100%
5	Amber	000 – 255	0 – 100%
6	White	000 – 255	0 – 100%
7	Strobe	000 – 010	Open
		011 – 255	Strobe (From fast to slow)
8	Colour Macro	000 – 005	No Function
		006 – 013	C3050 Md Yellow
		014 – 021	C3040 Lt Yellow
		022 – 028	C3240 Amb Yellow
		029 – 035	C2340 VLt Amber
		036 – 043	C2040 Lt Amber
		044 – 051	C2050 Md Amber
		052 – 059	C2060 Dk Amber
		060 – 067	C1050 Lt Red
		068 – 075	C1080 Md Red
		076 – 083	C1020 NC Pink
		084 – 091	C1030 Md Pink
		092 – 099	C1630 Dk Pink
		100 – 107	C1250 Md Red Amber
		108 – 115	C1060 Dk Red Amber
		116 – 121	C1650 Magenta
		122 – 130	C6170 Dk Magenta
		131 – 138	C6020 Lt Lavender
		139 – 146	C5030 Lt Blue
		147 – 154	C5020 VLt Blue
		155 – 162	C5430 Lt Blue 2
		163 – 170	C5070 Blue
		171 – 178	C5050 Md Blue
		179 – 186	C5060 Dk Blue
		187 – 194	C5690 Indigo
		195 – 202	C5080 VDk Blue
		203 – 210	C5081 VDk Blue 2
		211 – 218	C4370 Yel Green
		219 – 226	C4070 Green
		227 – 234	C4550 Turquoise
		235 – 242	C4560 Aqua
		243 – 250	C4570 Blue Green
251 – 255	No Function		
9	Colour Temperature	000 – 005	No Function
		006 – 019	2800K

		020 – 033	3000K
		034 – 047	3200K
		048 – 061	3500K
		062 – 075	4000K
		076 – 089	4500K
		090 – 103	5000K
		104 – 117	5600K
		118 – 131	6000K
		132 – 145	6500K
		146 – 159	7000K
		160 – 173	7500K
		174 – 187	8000K
		188 – 201	8500K
		202 – 215	9000K
		216 – 229	9500K
		230 – 243	10000K
		244 – 255	No Function
10	Auto Programs	000 – 010	No Function
		011 – 040	Auto Program 1
		041 – 080	Auto Program 2
		081 – 120	Auto Program 3
		121 – 160	Auto Program 4
		161 – 200	Auto Program 5
		201 – 240	Auto Program 6
		241 – 255	No Function
11	Auto Program Speed	000 – 255	Slow to fast
12	Control (Hold 3 seconds)	000 – 007	No Function
		008 – 015	Dimmer Reset
		016 – 023	Red Shift On
		024 – 031	Red Shift Off
		032 – 039	Dimmer S-Curve
		040 – 047	Dimmer Linear
		048 – 055	Dimmer Square
		056 – 063	Dimmer Inverse Square
		064 – 071	Dimmer Mode Off
		072 – 079	Dimmer Mode 1
		080 – 087	Dimmer Mode 2
		088 – 095	Dimmer Mode 3
		096 – 103	X-Fade Speed: Off
		104 – 111	X-Fade Speed: 1
		112 – 119	X-Fade Speed: 2
		120 – 127	X-Fade Speed: 3
		128 – 135	X-Fade Speed: 4
		136 – 255	No function

13Ch	Function	Value	Setting
1	Dimmer	000 – 255	0 – 100%
2	Dimmer Fine	000 – 255	0 – 100%
3	Red	000 – 255	0 – 100%
4	Red Fine	000 – 255	0 – 100%

5	Green	000 – 255	0 – 100%
6	Green Fine	000 – 255	0 – 100%
7	Blue	000 – 255	0 – 100%
8	Blue Fine	000 – 255	0 – 100%
9	Amber	000 – 255	0 – 100%
10	Amber Fine	000 – 255	0 – 100%
11	White	000 – 255	0 – 100%
12	White Fine	000 – 255	0 – 100%
13	Strobe	000 – 010	Open
		011 – 255	Strobe (From fast to slow)

16Ch	Function	Value	Setting
1	Dimmer	000 – 255	0 – 100%
2	Dimmer Fine	000 – 255	0 – 100%
3	Red 1	000 – 255	0 – 100%
4	Green 1	000 – 255	0 – 100%
5	Blue 1	000 – 255	0 – 100%
6	Amber 1	000 – 255	0 – 100%
7	White 1	000 – 255	0 – 100%
8	Red 2	000 – 255	0 – 100%
9	Green 2	000 – 255	0 – 100%
10	Blue 2	000 – 255	0 – 100%
11	Amber 2	000 – 255	0 – 100%
12	White 2	000 – 255	0 – 100%
13	Strobe	000 – 010	Open
		011 – 255	Strobe (From fast to slow)
14	Colour Macro	000 – 005	Open
		006 – 013	C3050 Md Yellow
		014 – 021	C3040 Lt Yellow
		022 – 028	C3240 Amb Yellow
		029 – 035	C2340 VLt Amber
		036 – 043	C2040 Lt Amber
		044 – 051	C2050 Md Amber
		052 – 059	C2060 Dk Amber
		060 – 067	C1050 Lt Red
		068 – 075	C1080 Md Red
		076 – 083	C1020 NC Pink
		084 – 091	C1030 Md Pink
		092 – 099	C1630 Dk Pink
		100 – 107	C1250 Md Red Amber
		108 – 115	C1060 Dk Red Amber
		116 – 121	C1650 Magenta
		122 – 130	C6170 Dk Magenta
		131 – 138	C6020 Lt Lavender
		139 – 146	C5030 Lt Blue
		147 – 154	C5020 VLt Blue
155 – 162	C5430 Lt Blue 2		
163 – 170	C5070 Blue		
171 – 178	C5050 Md Blue		
179 – 186	C5060 Dk Blue		

		187 – 194	C5690 Indigo
		195 – 202	C5080 Vdk Blue
		203 – 210	C5081 Vdk Blue 2
		211 – 218	C4370 Yel Green
		219 – 226	C4070 Green
		227 – 234	C4550 Turquoise
		235 – 242	C4560 Aqua
		243 – 250	C4570 Blue Green
		251 – 255	No Function
15	Colour Temperature	000 – 005	No Function
		006 – 019	2800K
		020 – 033	3000K
		034 – 047	3200K
		048 – 061	3500K
		062 – 075	4000K
		076 – 089	4500K
		090 – 103	5000K
		104 – 117	5600K
		118 – 131	6000K
		132 – 145	6500K
		146 – 159	7000K
		160 – 173	7500K
		174 – 187	8000K
		188 – 201	8500K
		202 – 215	9000K
		216 – 229	9500K
		230 – 243	10000K
244 – 255	No Function		
16	Control (Hold 3 seconds)	000 – 007	No Function
		008 – 015	Dimmer Reset
		016 – 023	Red Shift On
		024 – 031	Red Shift Off
		032 – 039	Dimmer S-Curve
		040 – 047	Dimmer Linear
		048 – 055	Dimmer Square
		056 – 063	Dimmer Inverse Square
		064 – 071	Dimmer Mode Off
		072 – 079	Dimmer Mode 1
		080 – 087	Dimmer Mode 2
		088 – 095	Dimmer Mode 3
		096 – 103	X-Fade Speed: Off
		104 – 111	X-Fade Speed: 1
		112 – 119	X-Fade Speed: 2
		120 – 127	X-Fade Speed: 3
128 – 135	X-Fade Speed: 4		
136 – 255	No function		

28Ch	Function	Value	Setting
1	Dimmer	000 – 255	0 – 100%
2	Dimmer Fine	000 – 255	0 – 100%

3	Red 1	000 – 255	0 – 100%
4	Red 1 Fine		
5	Green 1	000 – 255	0 – 100%
6	Green 1 Fine		
7	Blue 1	000 – 255	0 – 100%
8	Blue 1 Fine		
9	Amber 1	000 – 255	0 – 100%
10	Amber 1 Fine		
11	White 1	000 – 255	0 – 100%
12	White 1 Fine		
13	Red 2	000 – 255	0 – 100%
14	Red 2 Fine		
15	Green 2	000 – 255	0 – 100%
16	Green 2 Fine		
17	Blue 2	000 – 255	0 – 100%
118	Blue 2 Fine		
19	Amber 2	000 – 255	0 – 100%
20	Amber 2 Fine		
21	White 2	000 – 255	0 – 100%
22	White 2 Fine		
23	Strobe	000 – 010	Open
		011 – 255	Strobe (From fast to slow)
24	Colour Macro	000 – 005	Open
		006 – 013	C3050 Md Yellow
		014 – 021	C3040 Lt Yellow
		022 – 028	C3240 Amb Yellow
		029 – 035	C2340 VLt Amber
		036 – 043	C2040 Lt Amber
		044 – 051	C2050 Md Amber
		052 – 059	C2060 Dk Amber
		060 – 067	C1050 Lt Red
		068 – 075	C1080 Md Red
		076 – 083	C1020 NC Pink
		084 – 091	C1030 Md Pink
		092 – 099	C1630 Dk Pink
		100 – 107	C1250 Md Red Amber
		108 – 115	C1060 Dk Red Amber
		116 – 121	C1650 Magenta
		122 – 130	C6170 Dk Magenta
		131 – 138	C6020 Lt Lavender
		139 – 146	C5030 Lt Blue
		147 – 154	C5020 VLt Blue
		155 – 162	C5430 Lt Blue 2
		163 – 170	C5070 Blue
		171 – 178	C5050 Md Blue
		179 – 186	C5060 Dk Blue
		187 – 194	C5690 Indigo
		195 – 202	C5080 Vdk Blue
203 – 210	C5081 Vdk Blue 2		
211 – 218	C4370 Yel Green		
219 – 226	C4070 Green		

		227 – 234	C4550 Turquoise
		235 – 242	C4560 Aqua
		243 – 250	C4570 Blue Green
		251 – 255	No Function
25	Colour Temperature	000 – 005	No Function
		006 – 019	2800K
		020 – 033	3000K
		034 – 047	3200K
		048 – 061	3500K
		062 – 075	4000K
		076 – 089	4500K
		090 – 103	5000K
		104 – 117	5600K
		118 – 131	6000K
		132 – 145	6500K
		146 – 159	7000K
		160 – 173	7500K
		174 – 187	8000K
		188 – 201	8500K
202 – 215	9000K		
216 – 229	9500K		
230 – 243	10000K		
244 – 255	No Function		
26	Auto Programs	000 – 010	No Function
		011 – 040	Auto Program 1
		041 – 080	Auto Program 2
		081 – 120	Auto Program 3
		121 – 160	Auto Program 4
		161 – 200	Auto Program 5
		201 – 240	Auto Program 6
		241 – 255	No Function
27	Auto Program Speed	000 – 255	Slow to fast
28	Control (Hold 3 seconds)	000 – 007	No Function
		008 – 015	Dimmer Reset
		016 – 023	Red Shift On
		024 – 031	Red Shift Off
		032 – 039	Dimmer S-Curve
		040 – 047	Dimmer Linear
		048 – 055	Dimmer Square
		056 – 063	Dimmer Inverse Square
		064 – 071	Dimmer Mode Off
		072 – 079	Dimmer Mode 1
		080 – 087	Dimmer Mode 2
		088 – 095	Dimmer Mode 3
		096 – 103	X-Fade Speed: Off
		104 – 111	X-Fade Speed: 1
		112 – 119	X-Fade Speed: 2
120 – 127	X-Fade Speed: 3		
128 – 135	X-Fade Speed: 4		
136 – 255	No function		

HSV	Function	Value	Setting
1	Hue	000 – 255	0 – 100%
2	Saturation	000 – 255	0 – 100%
3	Intensity	000 – 255	0 – 100%

MAINTENANCE

Maintenance and cleaning the unit

- Make sure the area below the installation place is free from unwanted persons during setup.
- Switch off the unit, unplug the main cable and wait until the unit has cooled down.
- All screws used for installing the device and any of its parts should be tightly fastened and should not be corroded.
- Housing, fitting points and installation spots (ceiling, trusses, suspensions) should be completely free of deformation.
- The main cables should be undamaged and must be replaced if even a small problem is detected.
- It is recommended to clean the front at regular intervals, from impurities caused by dust, smoke, or other particles to ensure that the light is radiated at maximum brightness. For cleaning, disconnect the main plug from the socket. Use a soft, clean cloth moistened with a mild detergent. Then carefully wipe the part dry. For cleaning other housing parts use only a soft, clean cloth. Never use a liquid, it might penetrate the unit and cause damage to it.

Fuse Replacement

1. Disconnect this product from the power outlet.
2. Using a screwdriver, unscrew the fuse holder cap from the housing.
3. Remove the blown fuse and replace with a good fuse of the same type and rating (250V/T3.15A).
4. Screw the fuse holder cap back into place and reconnect power.

TROUBLESHOOTING

Problems	Possible Causes	Checks and Remedies
Fixture does not light up	-No mains supply -Dimmer fader set to 0 -Faulty LED -Faulty LED board	-Check the supply voltage -Increase the value of the dimmer channels -Replace the LED board -Replace the LED board
General low light intensity	-Dirty lens assembly -Misaligned lens assembly	-Clean the fixture regularly -Install lens assembly properly
Fixture does not power up	-No power -Loose or damaged power cord -Faulty internal power supply	-Check for power at power outlet -Check power cord -Replace internal power supply

Contact an authorized service centre in case of technical problems or not reported in the table cannot be resolved by the procedure given in the table.